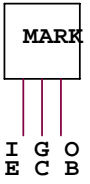
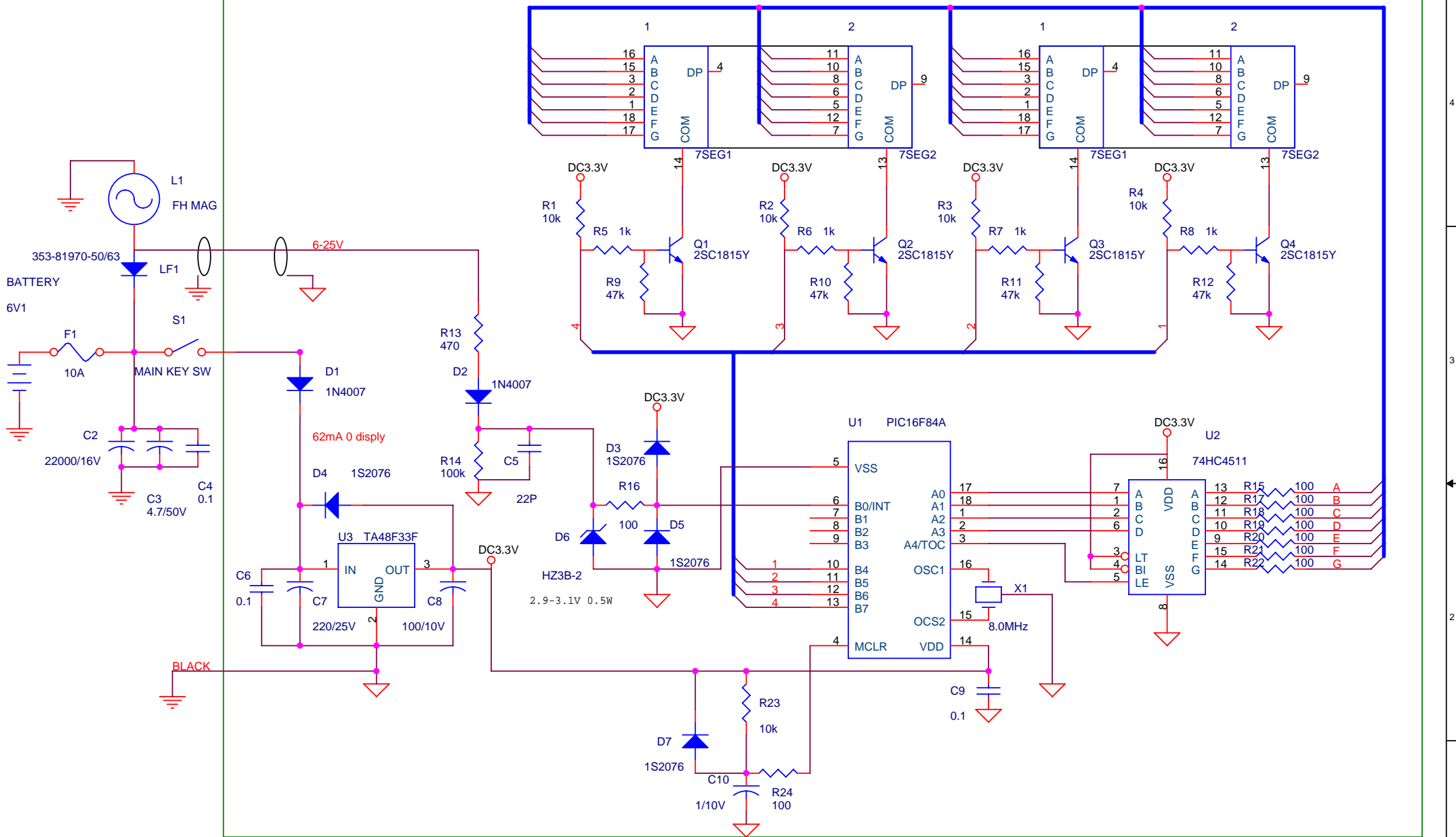


PCB ASSY



BATT VOLT 4 - 18 V
 IGN. VOLT -24 - +18 V abut 3000rpm

Size A4	Document Number SCHEMATIC OF DIGITAL TACHOMETER Vol.2	Rev 1
Date:	Saturday, June 10, 2006	Sheet 1 of 1